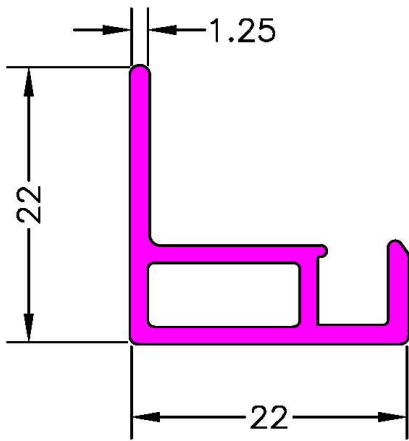
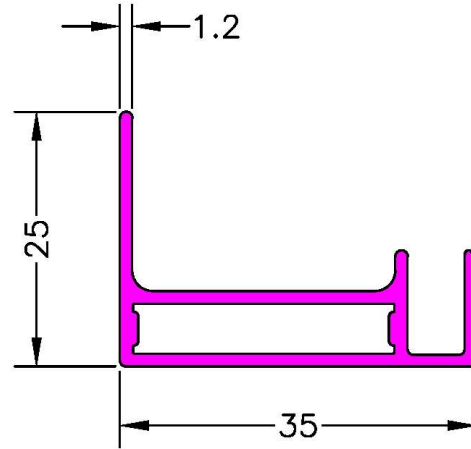


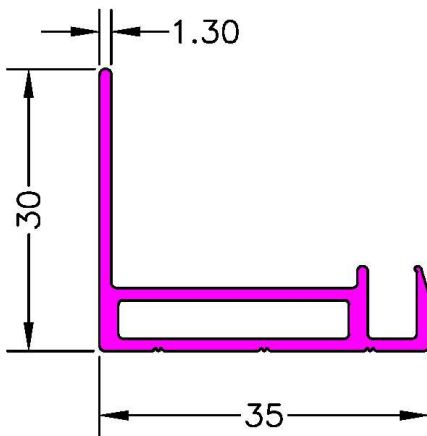
SOLAR SECTIONS



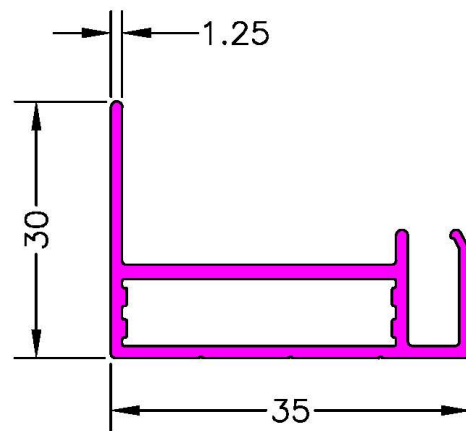
Article No.	KG/FT
7001	0.860/12' {P}



Article No.	KG/FT
7002	1.260/12' {P}

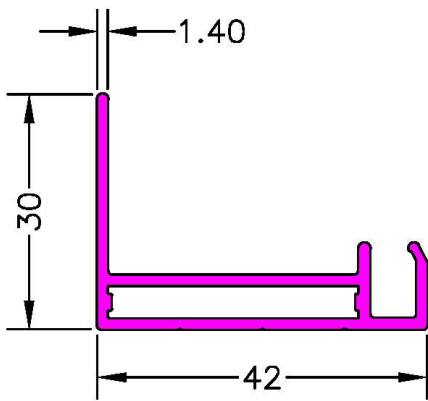


Article No.	KG/FT
7003	1.370/12' {P}

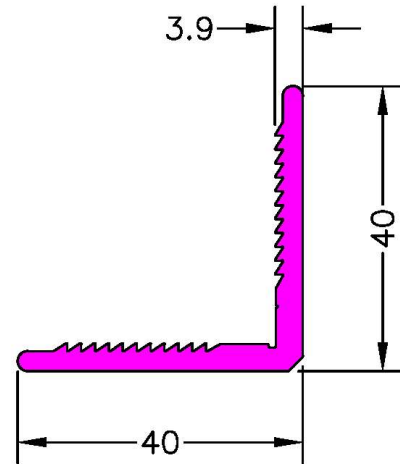


Article No.	KG/FT
7004	1.440/12' {P}

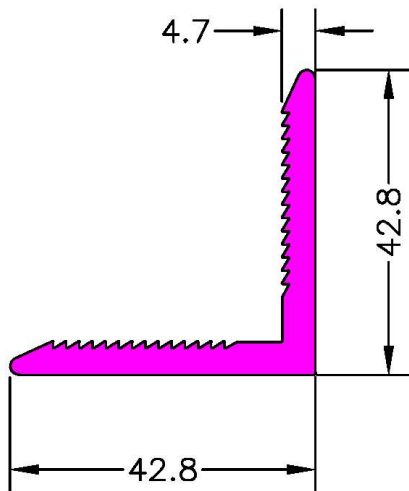
SOLAR SECTIONS



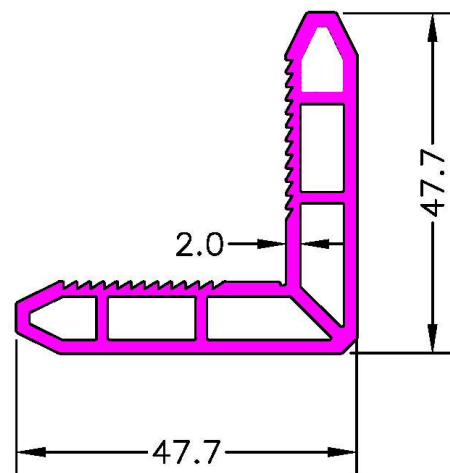
Article No.	KG/FT
7005	1.660/12' {P}



Article No.	KG/FT
7006	2.500/12' {P}



Article No.	KG/FT
7007	3.320/12' {P}



Article No.	KG/FT
7008	3.570/12' {P}