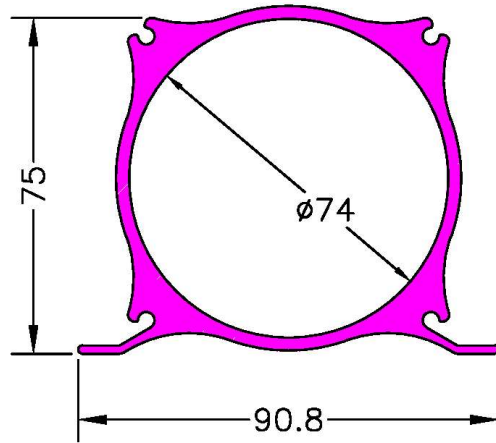
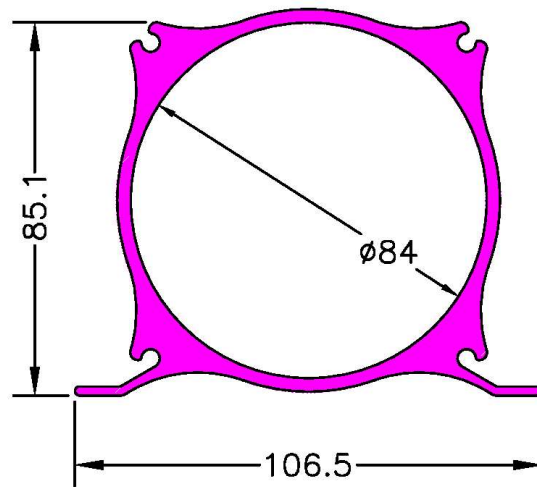


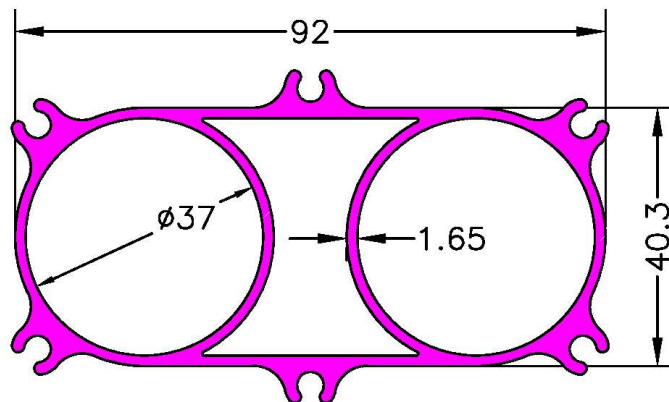
MEDICAL SECTIONS



Article No.	KG/FT
9125	8.675/12' {P}

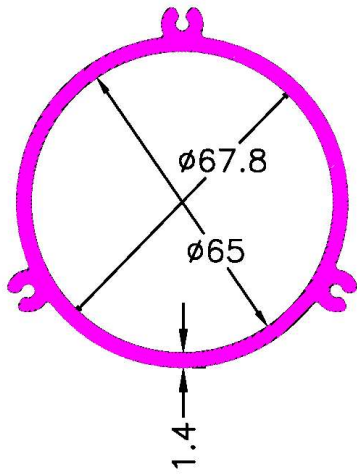


Article No.	KG/FT
9130	11.150/12' {P}



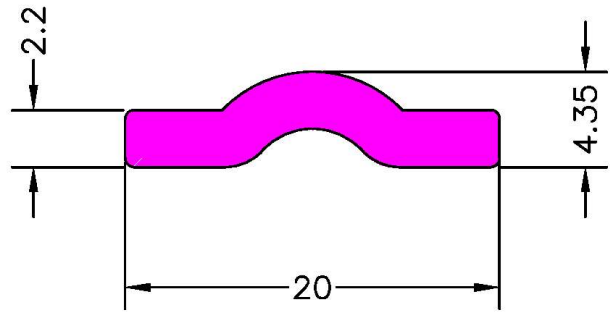
Article No.	KG/FT
9139	7.650/12' {P}

MEDICAL SECTIONS



Article No.	KG/FT
9160	3.650/12'

{P}



Article No.	KG/FT
9162	0.450/12'

{P}